

CONTRACTORS SHALL VERIFY JOB DIMENSIONS BEFORE ANY JOB COMMENCES. ALL SHOP DRAWINGS SHALL BE SUBMITTED TO THE SUPERINTENDENT AND MANUFACTURER SHALL NOT COMMENCE PRIOR TO THE RETURN OF DIMENSIONED SHOP DRAWINGS REVIEWED BY THE CONSULTANT. DIMENSIONS SHALL TAKE PRECEDENCE OVER SCALE. THIS DRAWING SHALL BE READ IN CONJUNCTION WITH ALL RELEVANT CONTRACT SPECIFICATIONS AND DRAWINGS COPYRIGHT OF THIS DRAWING IS VESTED IN WARDLE

General Notes

Rev	Issue	Revision Description	And	Date
B	SG	BALUSTRADE UPDATES AS CLOUDED	KW	20.01.14
A	SG	BALUSTRADE UPDATES AS CLOUDED	-	27.00.13
ISSUED TO SUIT ADDITIONAL DWG SHEET				
03	SG	VALUE MANAGEMENT ISSUE	-	28.03.13
02	SG	100% CD ISSUE	-	07.09.12
01	SG	75% CD ISSUE	-	13.07.12

Rev	Issue	Revision Description	And	Date
B	SG	BALUSTRADE UPDATES AS CLOUDED	KW	20.01.14
A	SG	BALUSTRADE UPDATES AS CLOUDED	-	27.00.13
ISSUED TO SUIT ADDITIONAL DWG SHEET				
03	SG	VALUE MANAGEMENT ISSUE	-	28.03.13
02	SG	100% CD ISSUE	-	07.09.12
01	SG	75% CD ISSUE	-	13.07.12

Rev	Issue	Revision Description	And	Date
B	SG	BALUSTRADE UPDATES AS CLOUDED	KW	20.01.14
A	SG	BALUSTRADE UPDATES AS CLOUDED	-	27.00.13
ISSUED TO SUIT ADDITIONAL DWG SHEET				
03	SG	VALUE MANAGEMENT ISSUE	-	28.03.13
02	SG	100% CD ISSUE	-	07.09.12
01	SG	75% CD ISSUE	-	13.07.12



NADAAA
 NADAAA
 1320 Washington Street No.2
 Boston Massachusetts 02118 USA
 Telephone +1 617 442 8232
 Facsimile +1 688 442 1417
 Email nadaaa@nadaaa.com

John Wardle Architects
 25 Rokeby Street, Collingwood, Victoria 3066 Australia
 Tel: +61 3 8662 0400 www.johnwardlearchitects.com
 © 2014 John Wardle Architects ABN 83 006 814 268

Client **University of Melbourne Parkville Campus**

Project **Faculty of Architecture Building and Planning**

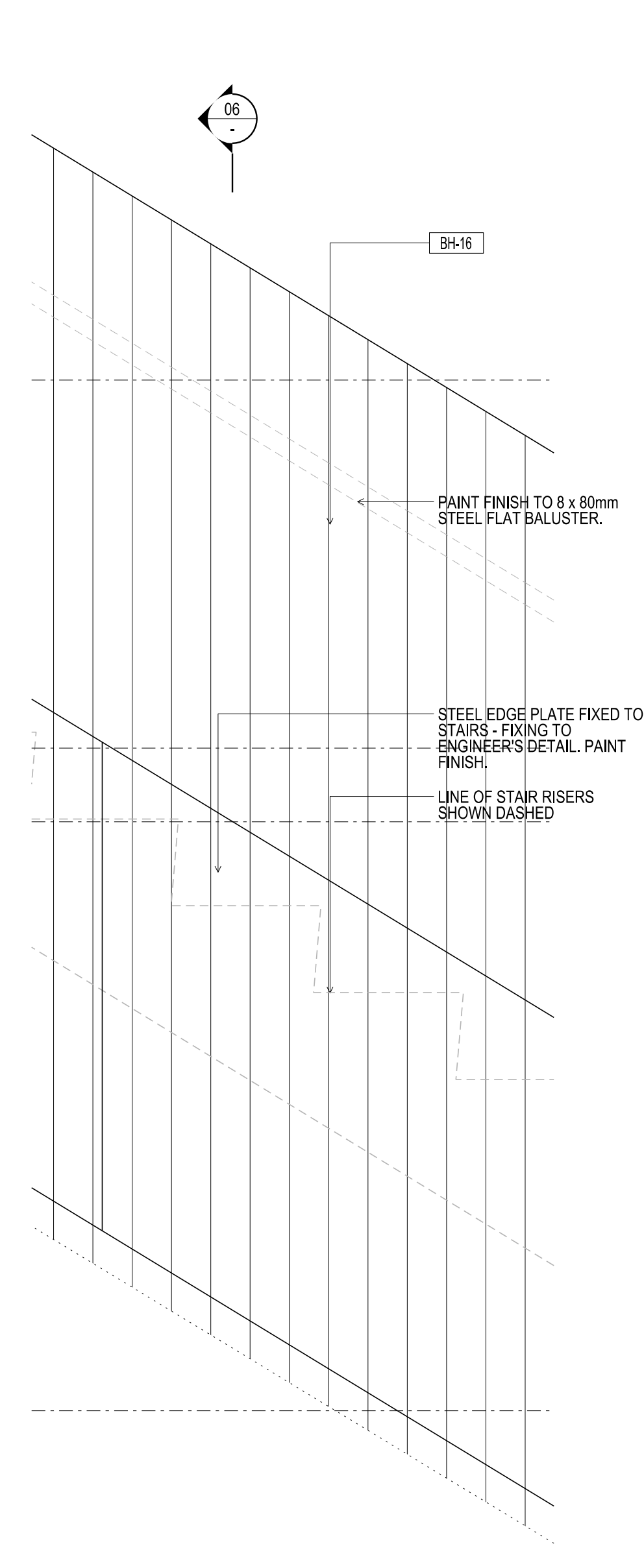
Title **STAIR DETAILS STAIR 000A**

Project No.	0913	Scale	A/S
Drawing No.	AR5036	Revision	B

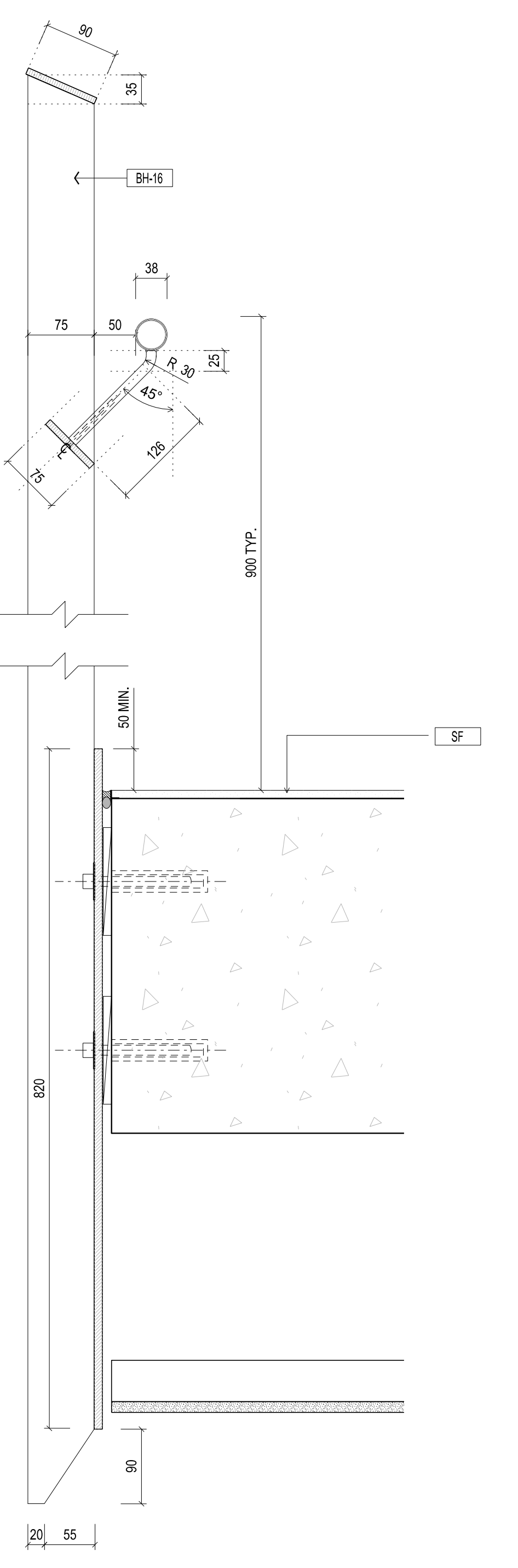
Date: July 2012 Drawn: Co-Ord: Check:

FILENAME: SFILES

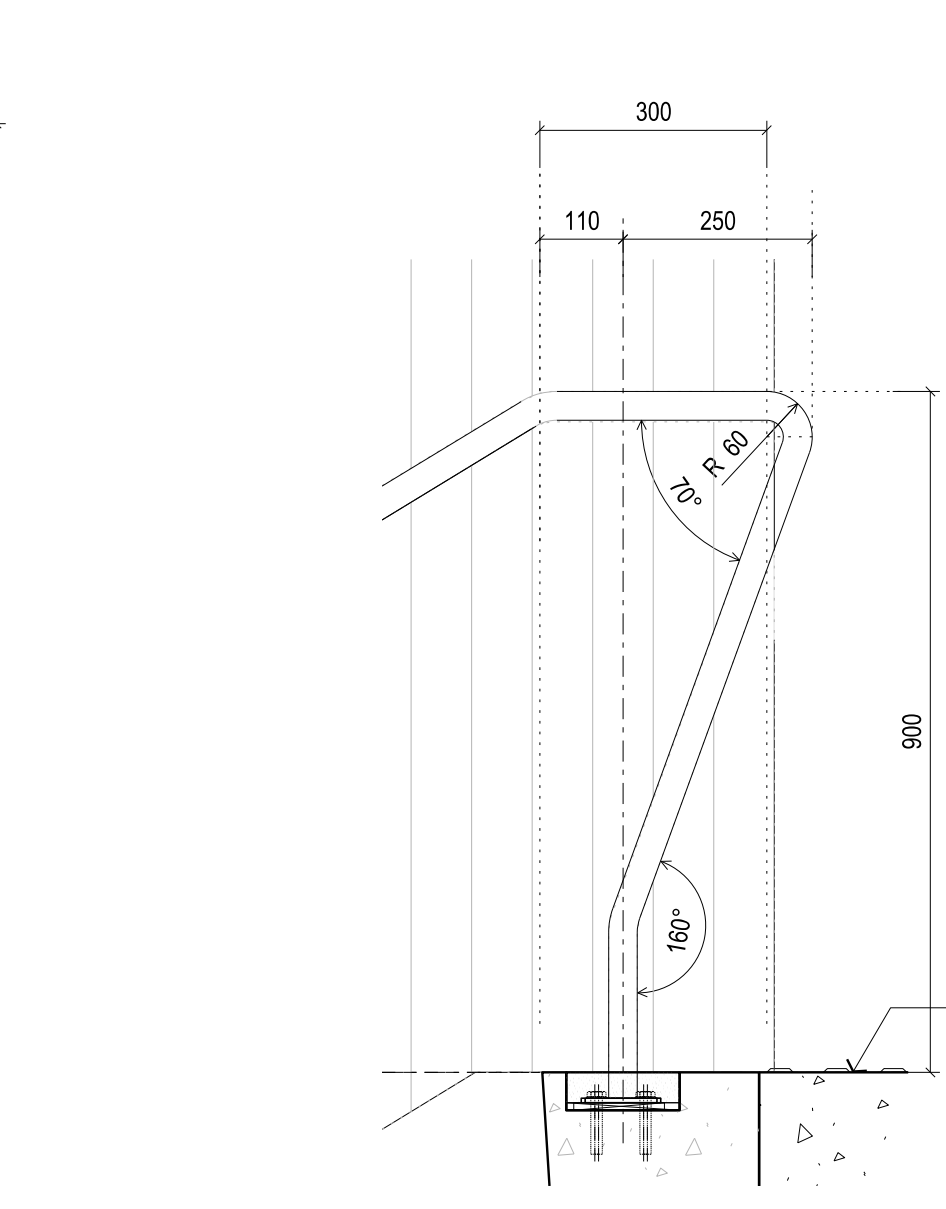
FOR CONSTRUCTION



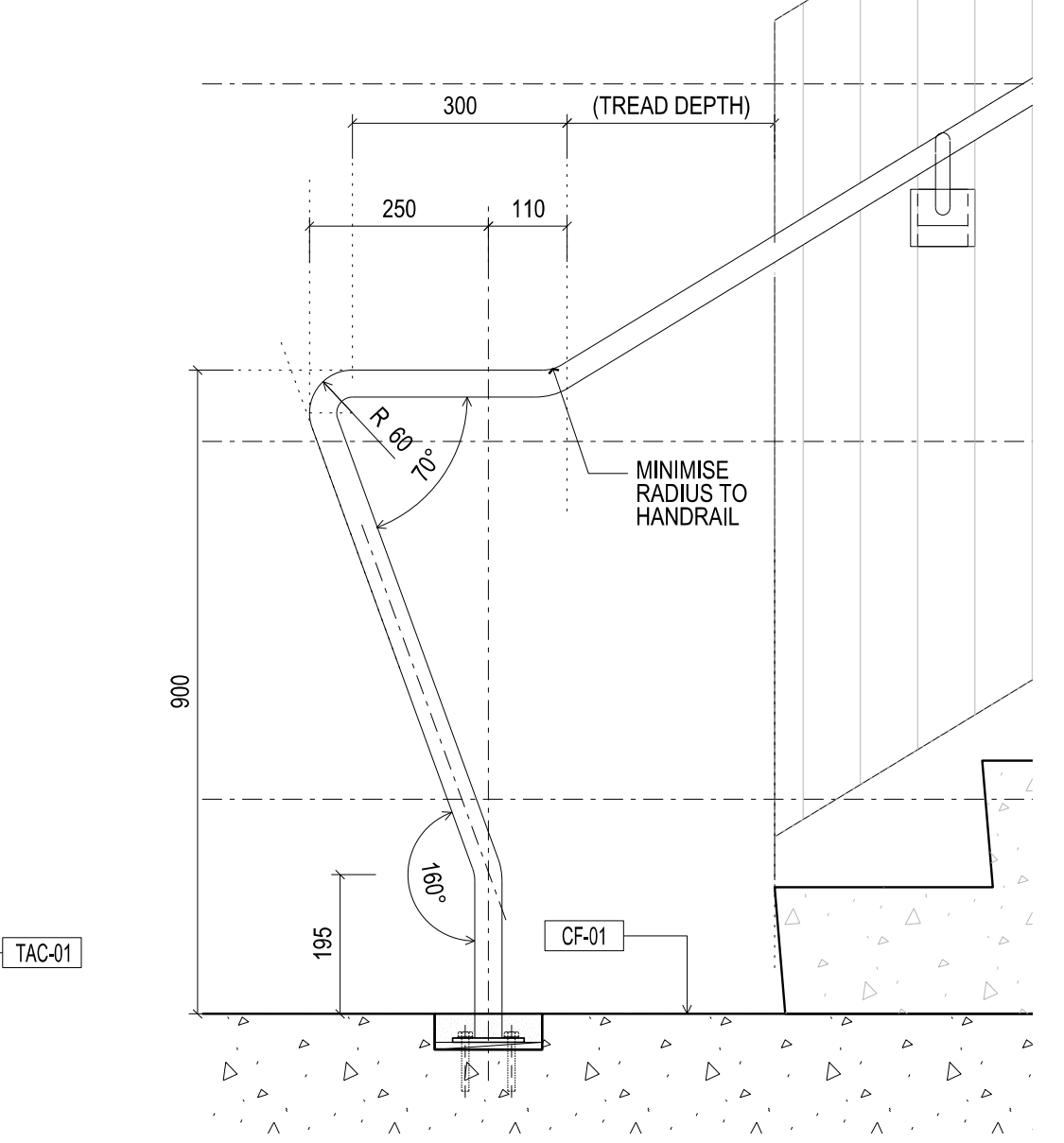
02 STAIR 000A - ELEVATION SCALE 1:10



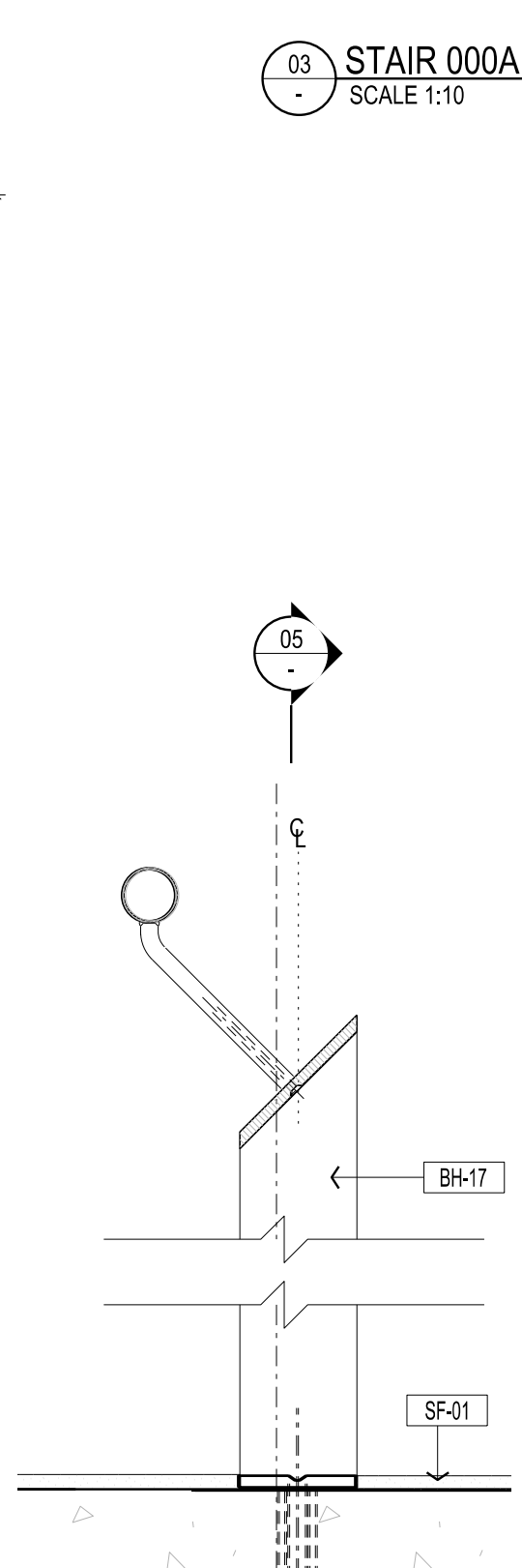
06 BH-16 - SECTION SCALE 1:5



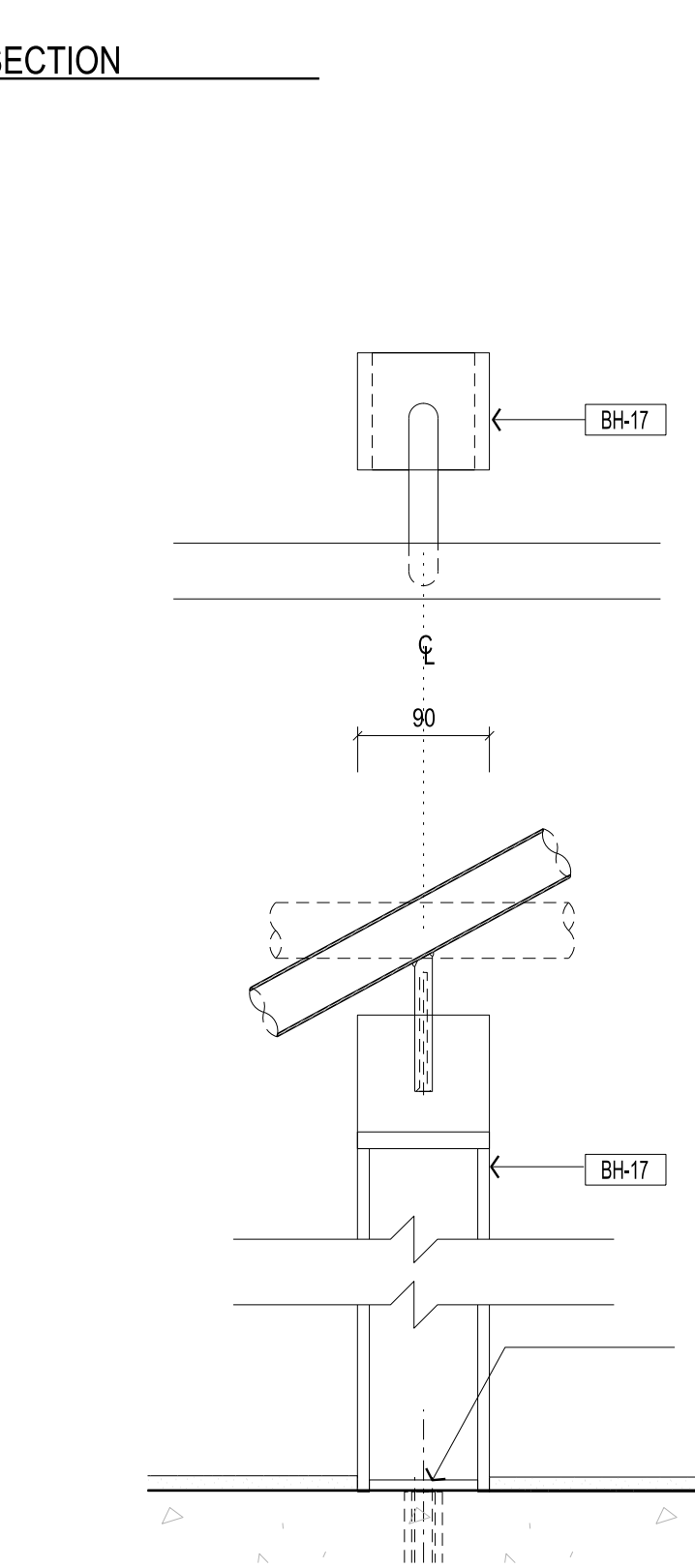
03 STAIR 000A - SECTION SCALE 1:10



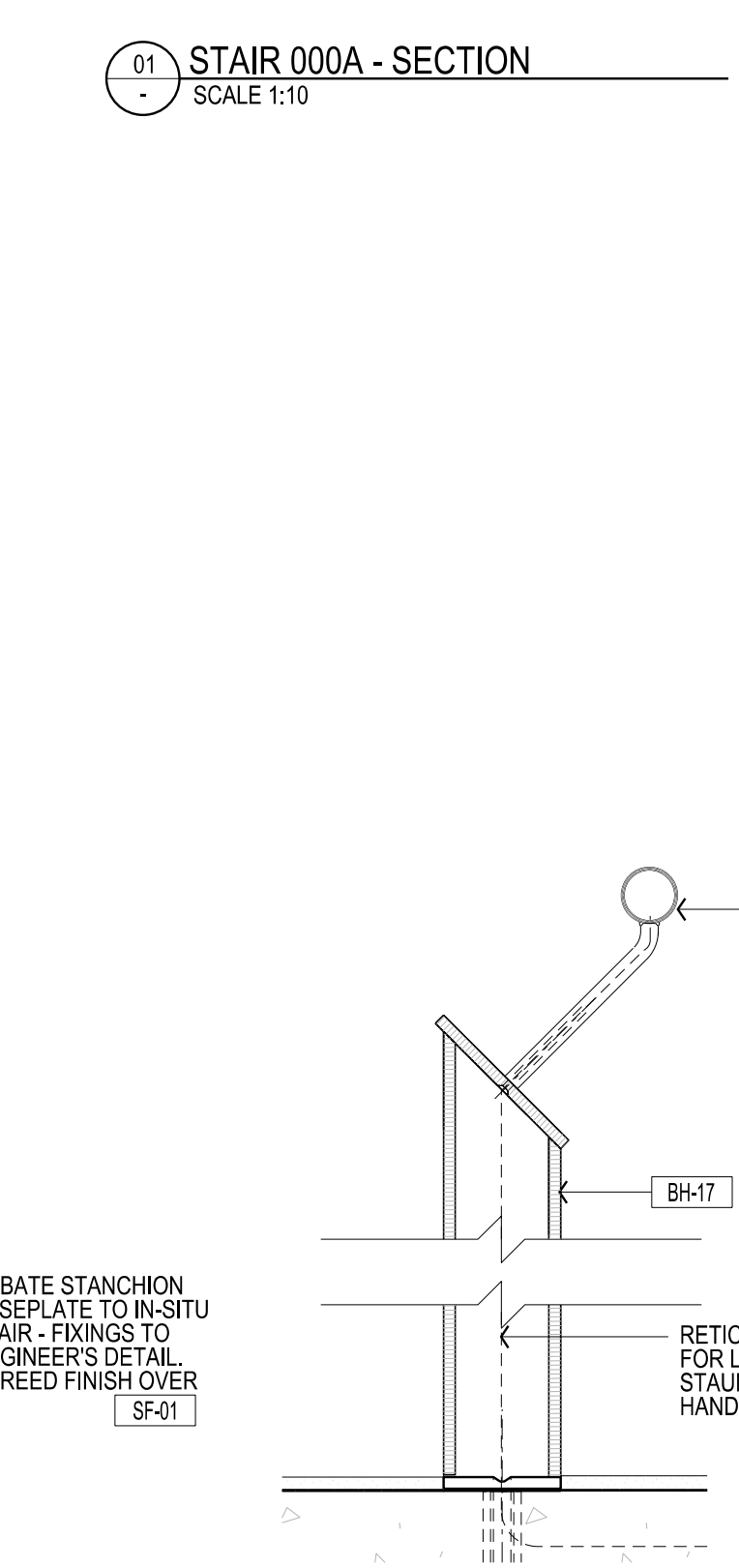
01 STAIR 000A - SECTION SCALE 1:10



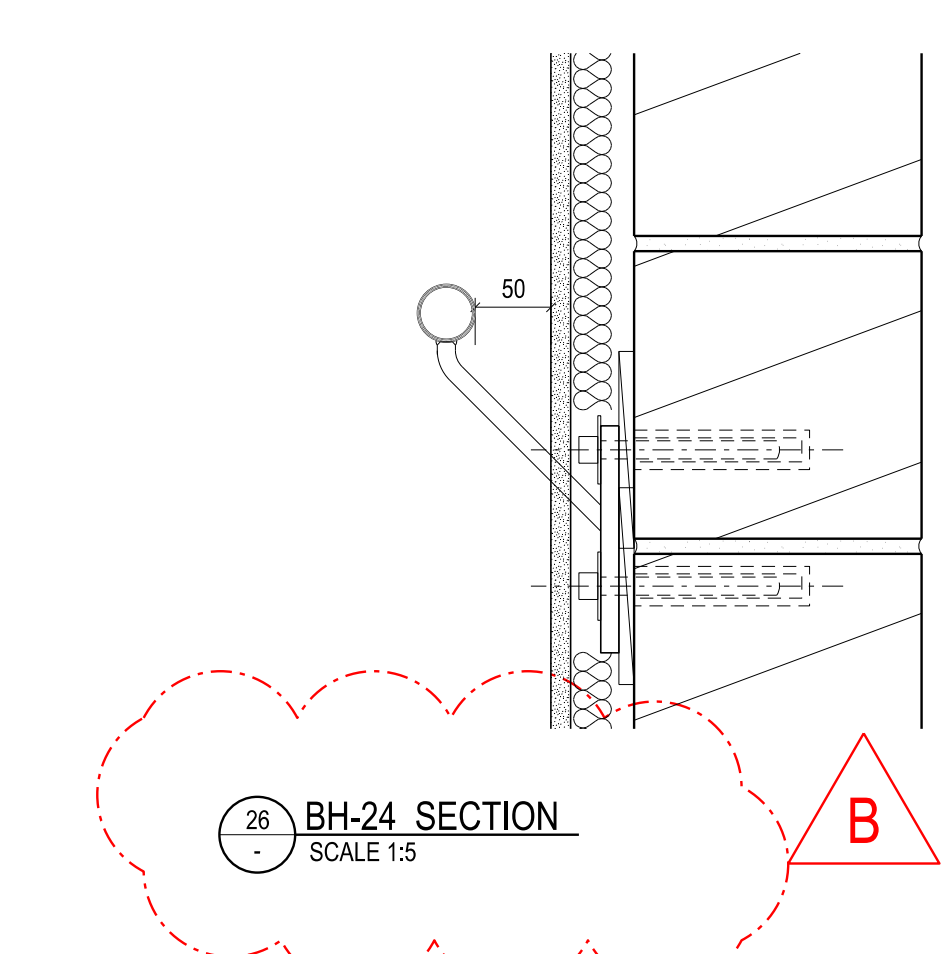
04 BH-17 SECTION SCALE 1:5



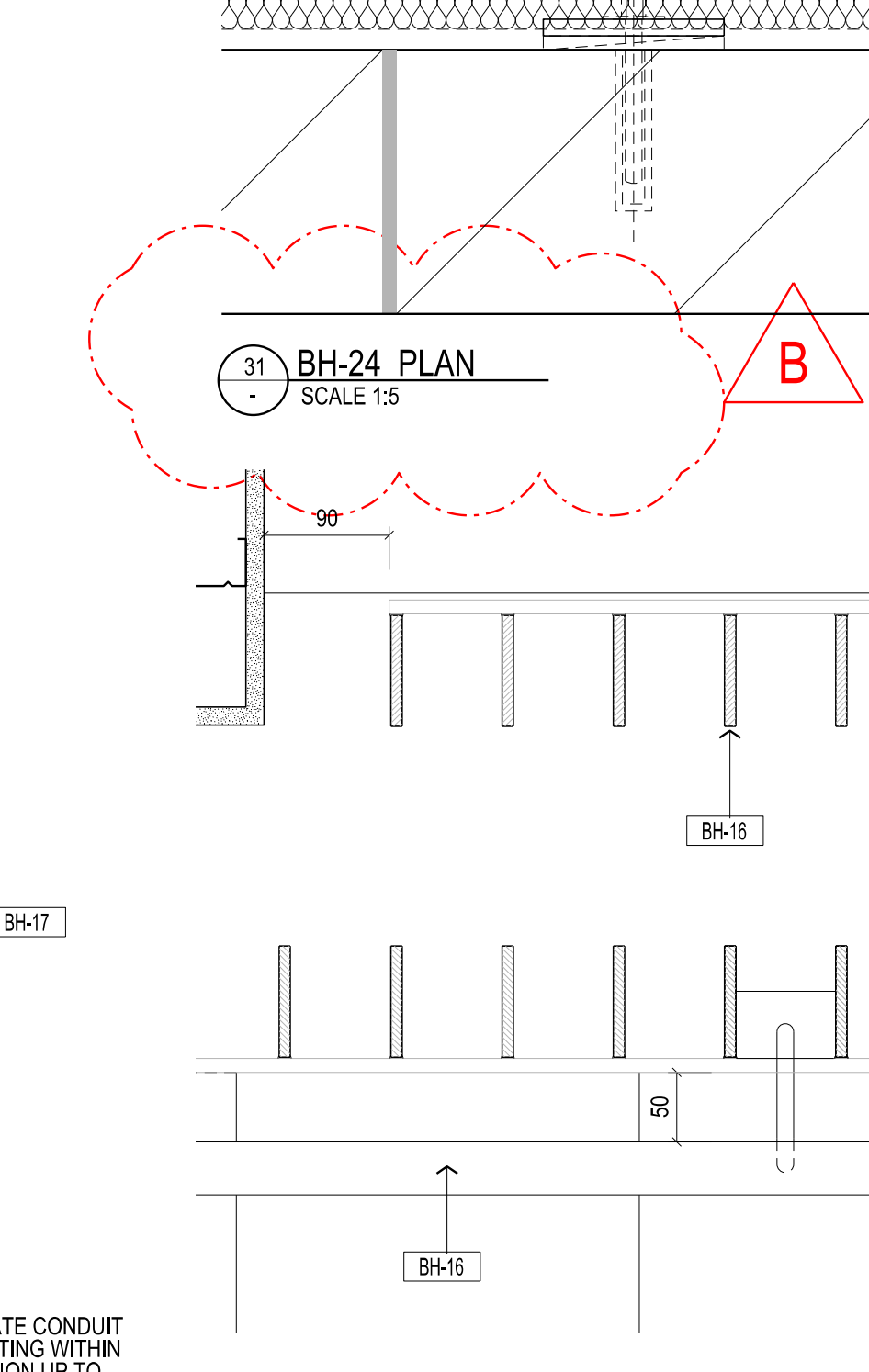
05 BH-17 SECTION SCALE 1:5



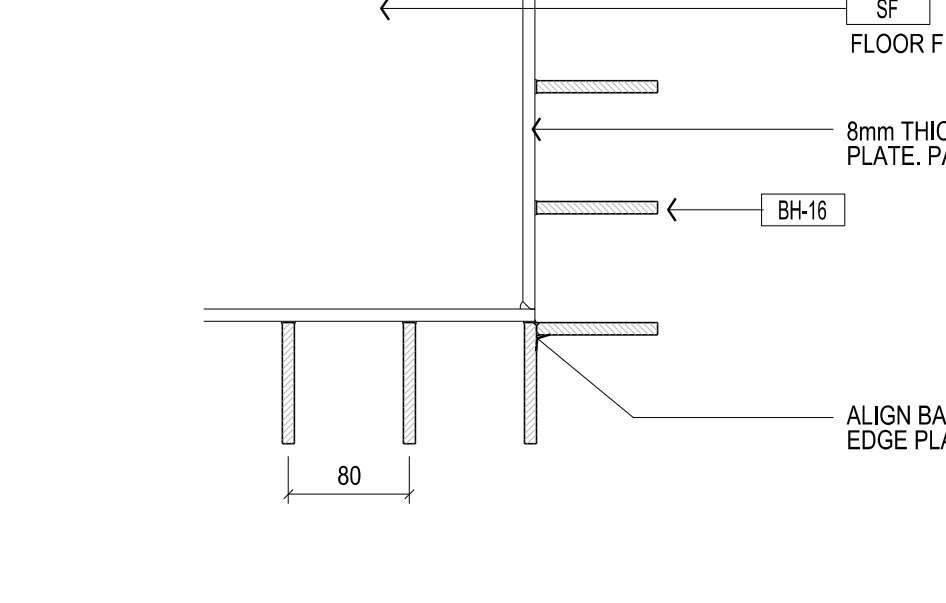
08 BH-17 BOX SECTION SCALE 1:5



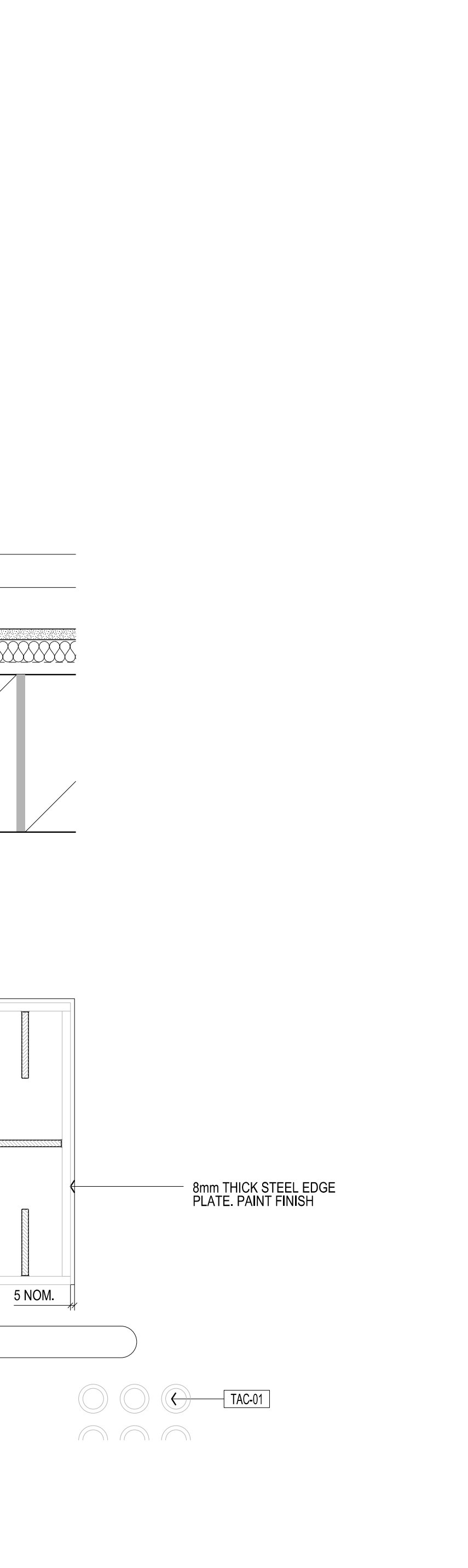
08 BH-24 SECTION SCALE 1:5



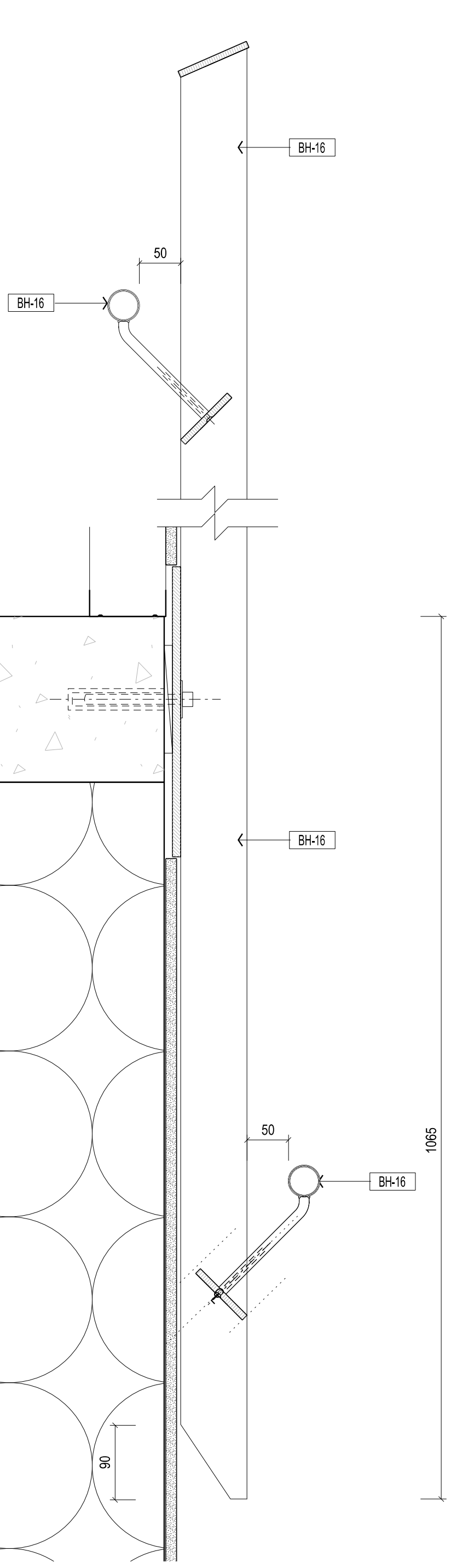
19 STAIR 000A - PLAN DETAIL SCALE 1:5



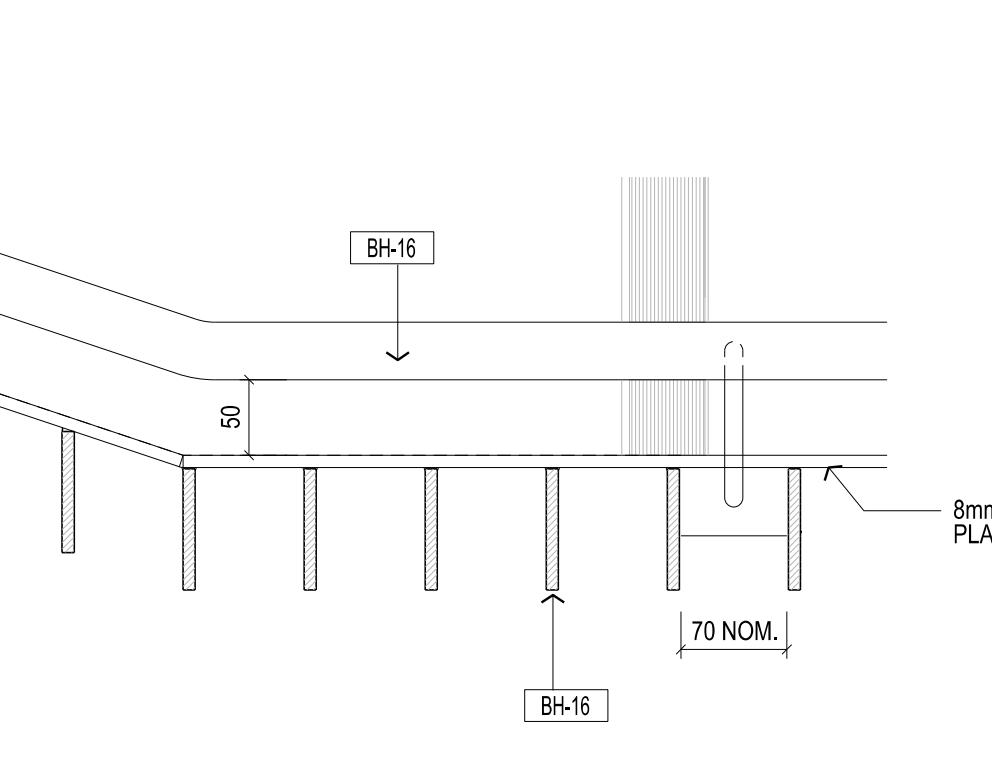
20 STAIR 000A - PLAN DETAIL SCALE 1:5



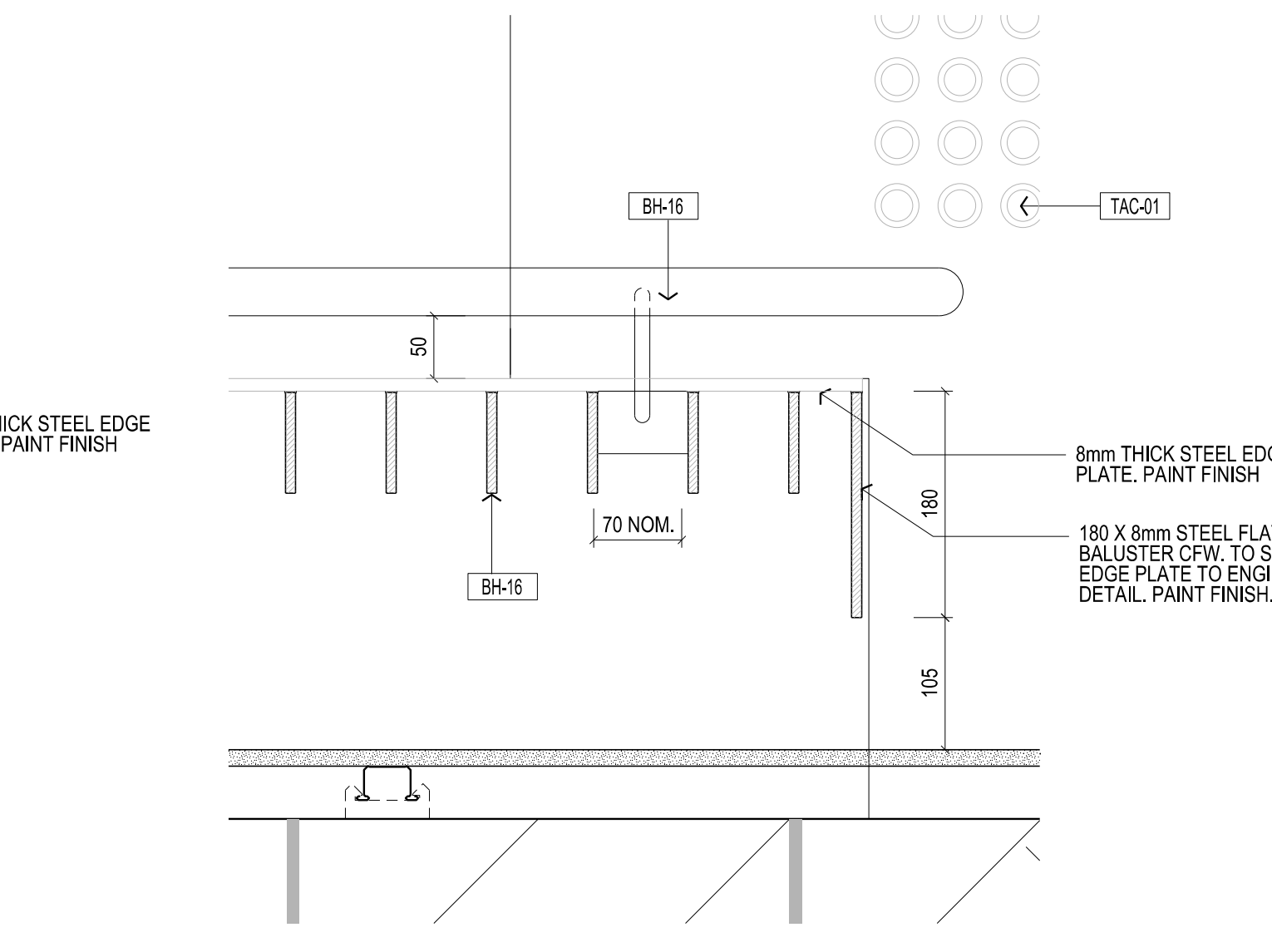
09 BH-16 - SECTION SCALE 1:5



18 BH-16 - SECTION SCALE 1:5



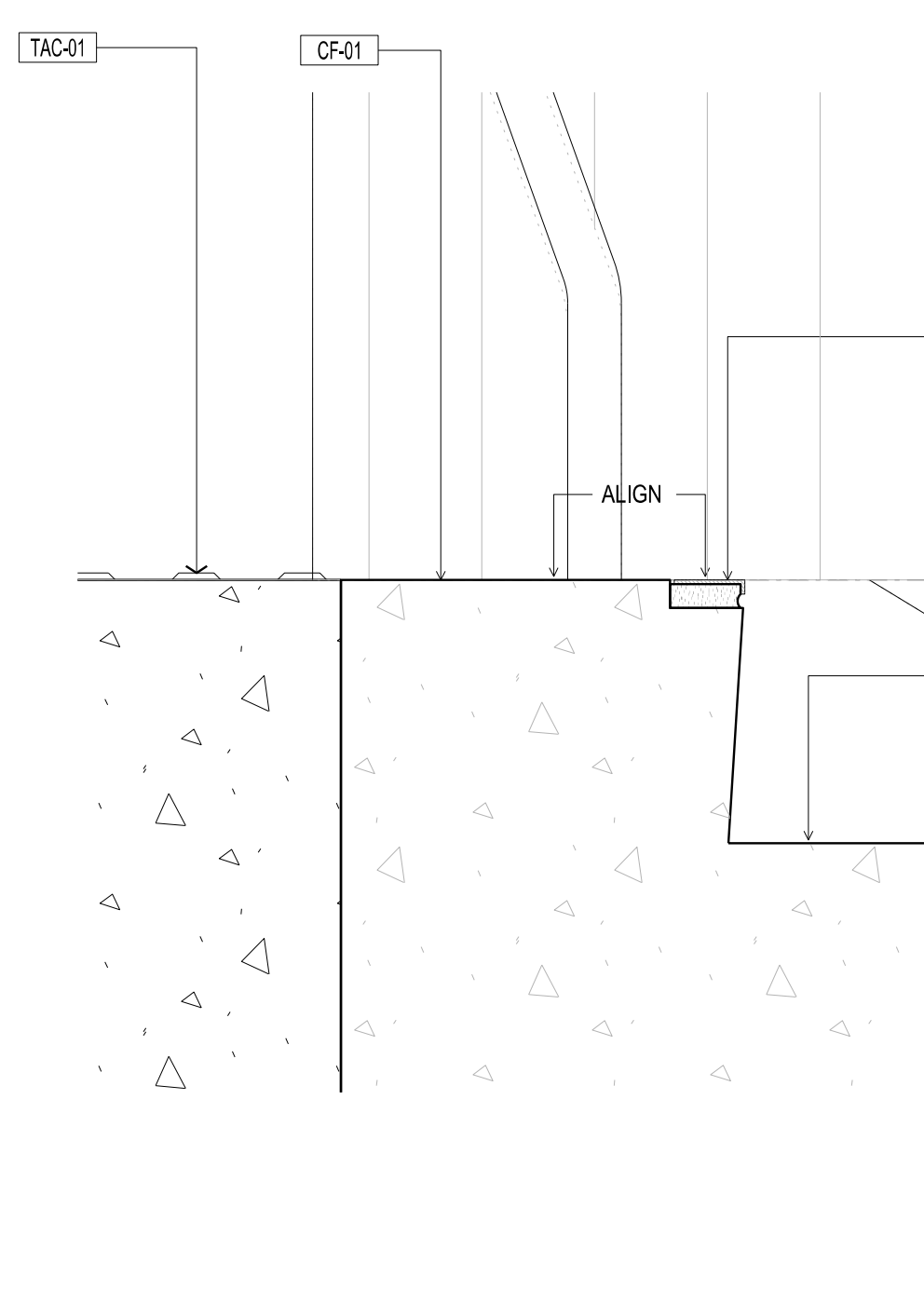
11 BH-16 PLAN DETAIL SCALE 1:5



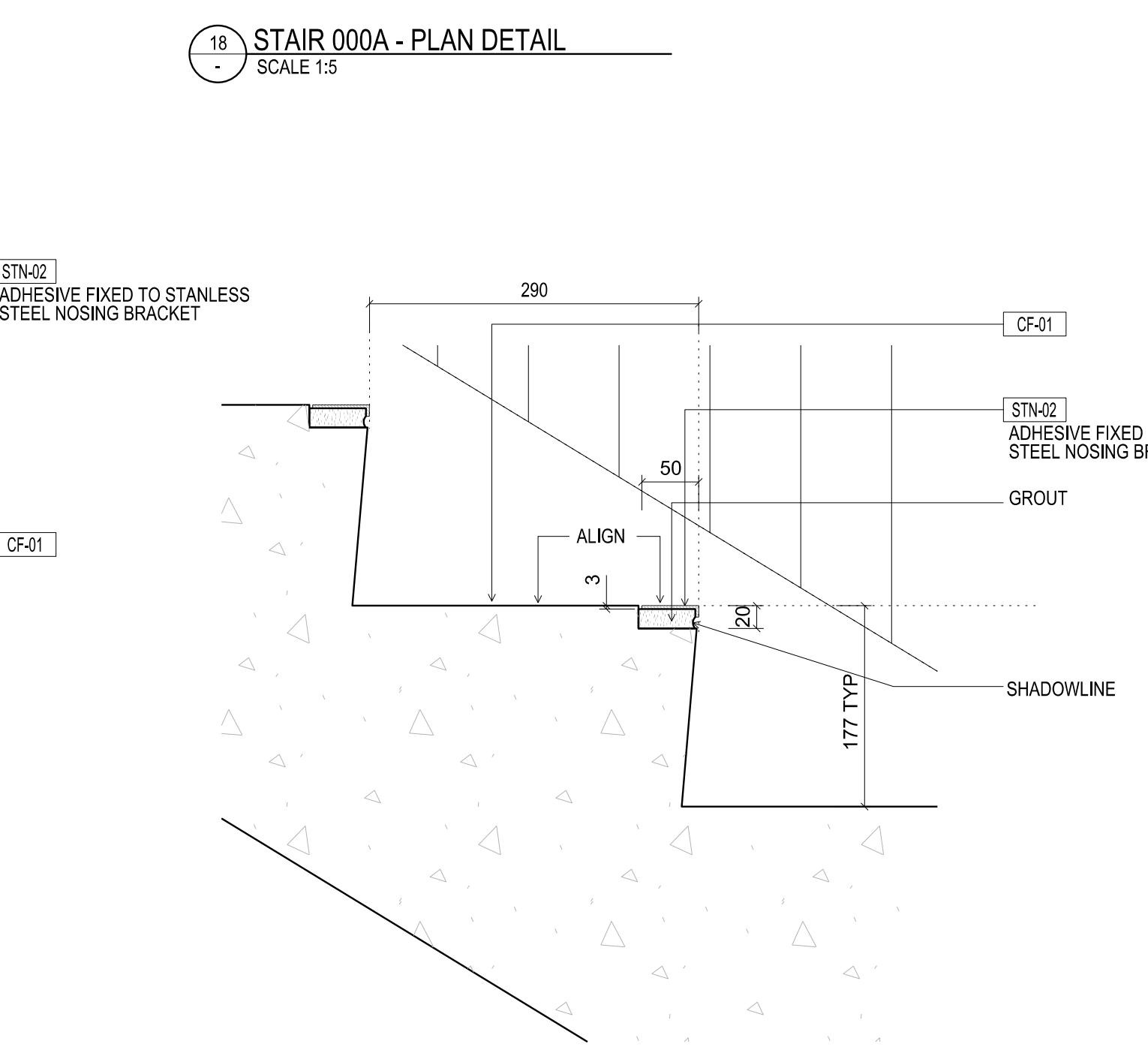
15 STAIR 000A - PLAN DETAIL SCALE 1:5



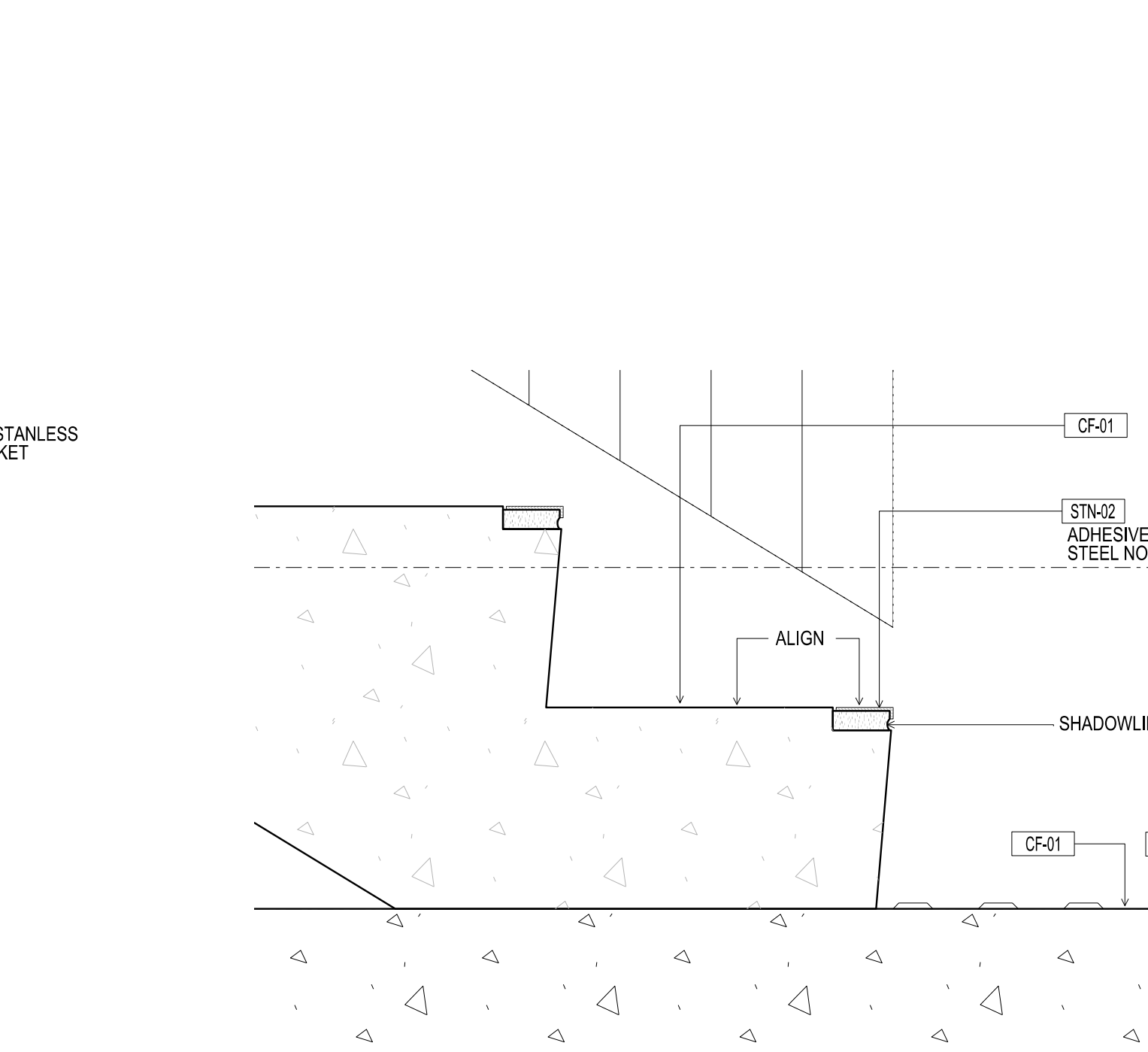
14 STAIR 000A - PLAN DETAIL SCALE 1:5



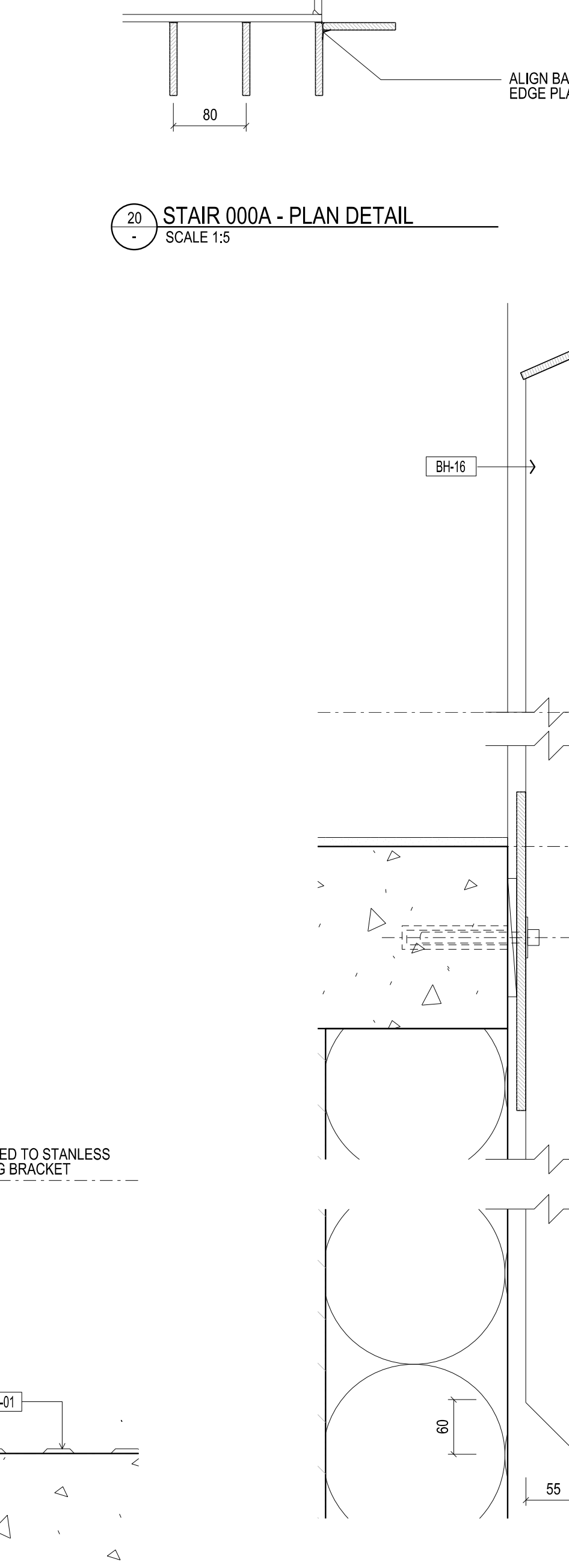
12 STAIR 000A - NOSING DETAIL SCALE 1:5



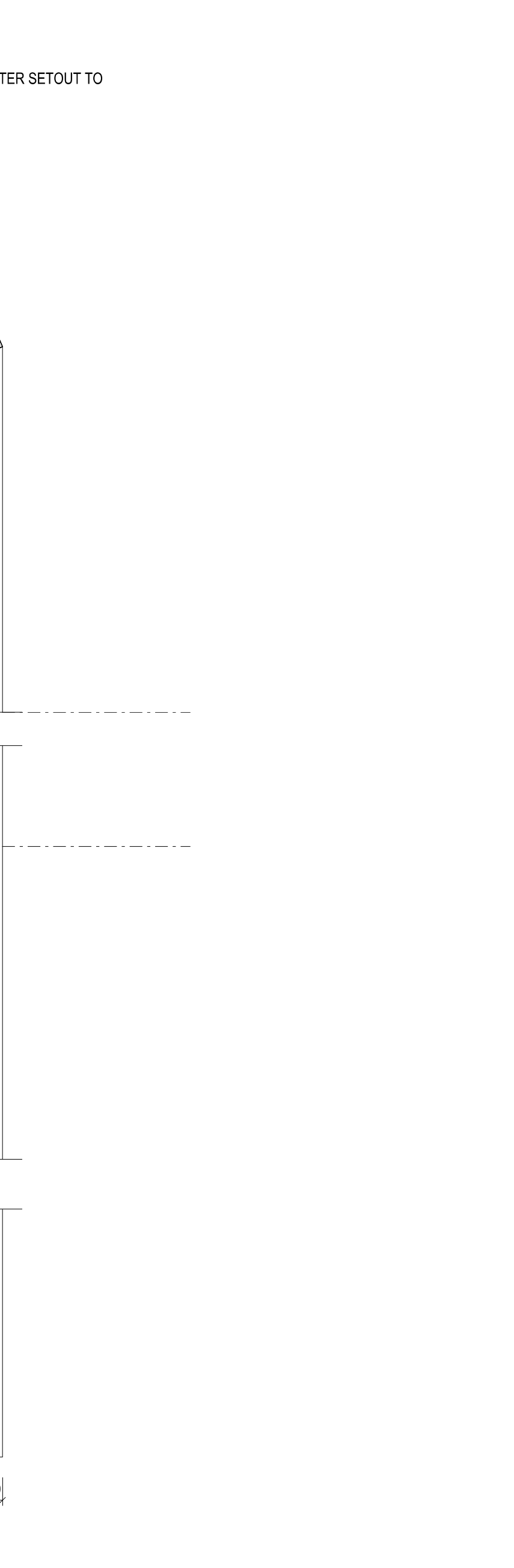
16 STAIR 000A - NOSING DETAIL SCALE 1:5



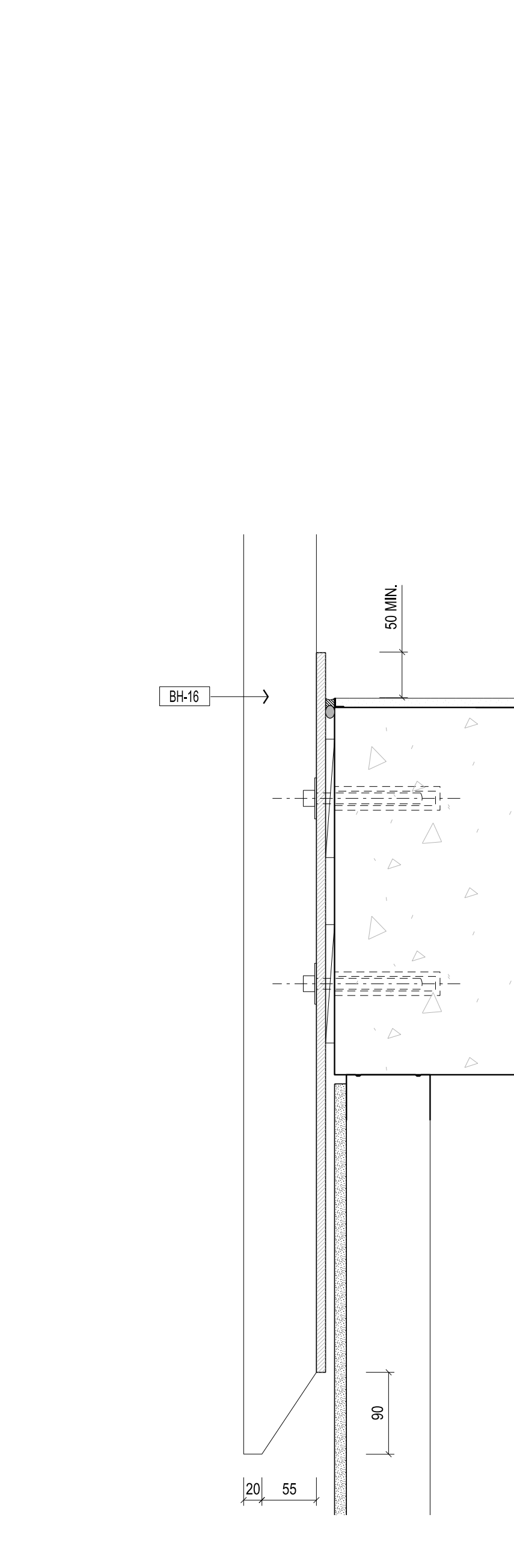
14 STAIR 000A - NOSING DETAIL SCALE 1:5



28 BH-16 - SECTION SCALE 1:5



28 BH-16 - SECTION SCALE 1:5



28 BH-16 - SECTION SCALE 1:5